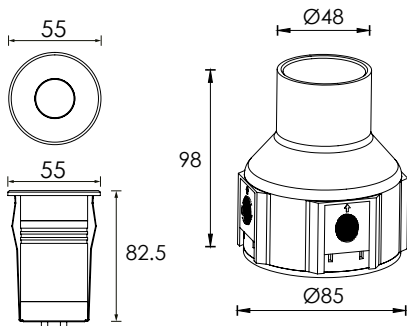


Inground Light Strong up light Power LED TAURUS



Hard chromeplated Stainless steel SUS 316L
12# Die-casting grey powder coated aluminum.
T=60-80µm Adhesion of ISO class 1/ASTM class 4B



Mounting sleeve 011#

334 138

LED Power

24V - 2,5W
120/240V - 3,0W

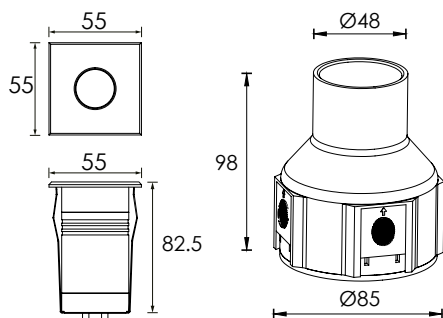
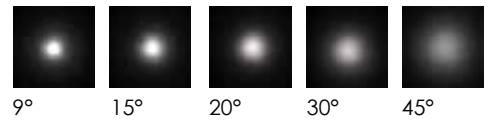
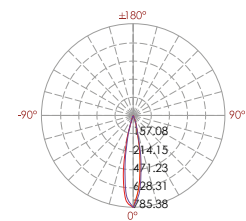
Colour Temp

2000K
3000K
6000K

Luminous

183 lm
143 lm

LIGHT DISTRIBUTION



Mounting sleeve 011#

334 139

LED Power

24V - 2,5W
120/240V - 3,0W

Colour Temp

2000K
3000K
6000K

Luminous

183 lm
143 lm

LIGHT DISTRIBUTION

